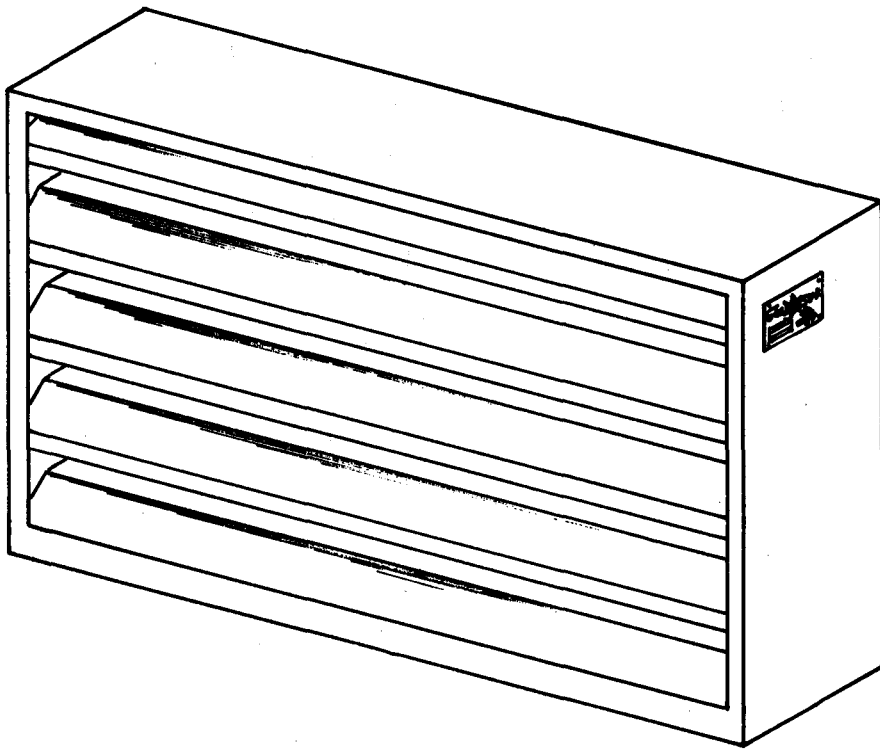
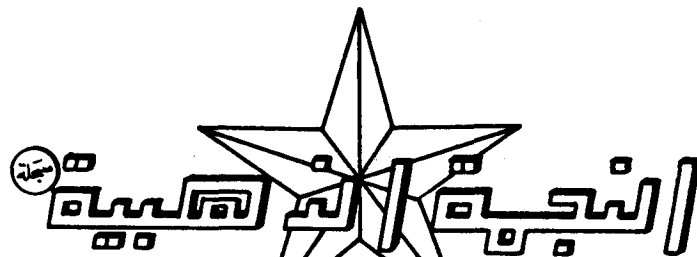




SAUDI AIR CONTROL SYSTEM  
INDUSTRIAL REGISTRATION NO. 113



ACOUSTIC - LOUVERS



المصنع السعودي لفتحات وضوابط توزيع الهواء  
ترخيص صناعي رقم ١١٣ / ص



SAUDI AIR CONTROL SYSTEM

## Acoustic- Louvers

MODEL - GAL-S, GAL-A

Engineered Noise Control

"GOLDENSTAR " Acoustic-Louvers has been especially designed to provide both unobtrusive appearance required for architectural excellence, and permit the flow of air while shielding the environment from noise in the Outside Louver applications of air handling system.

### MODEL

GAL -S GalvanizedSteel  
Construction  
GAL-A Aluminium Construction

### STANDARD CONSTRUCTION

FRAME —16 gage Galvanized steel  
for model GAL-S  
14 gauge Aluminium for GAL-A

BLADES — 22 gage Galvanized steel  
for model GAL- S  
20 gauge Aluminium for GAL-A

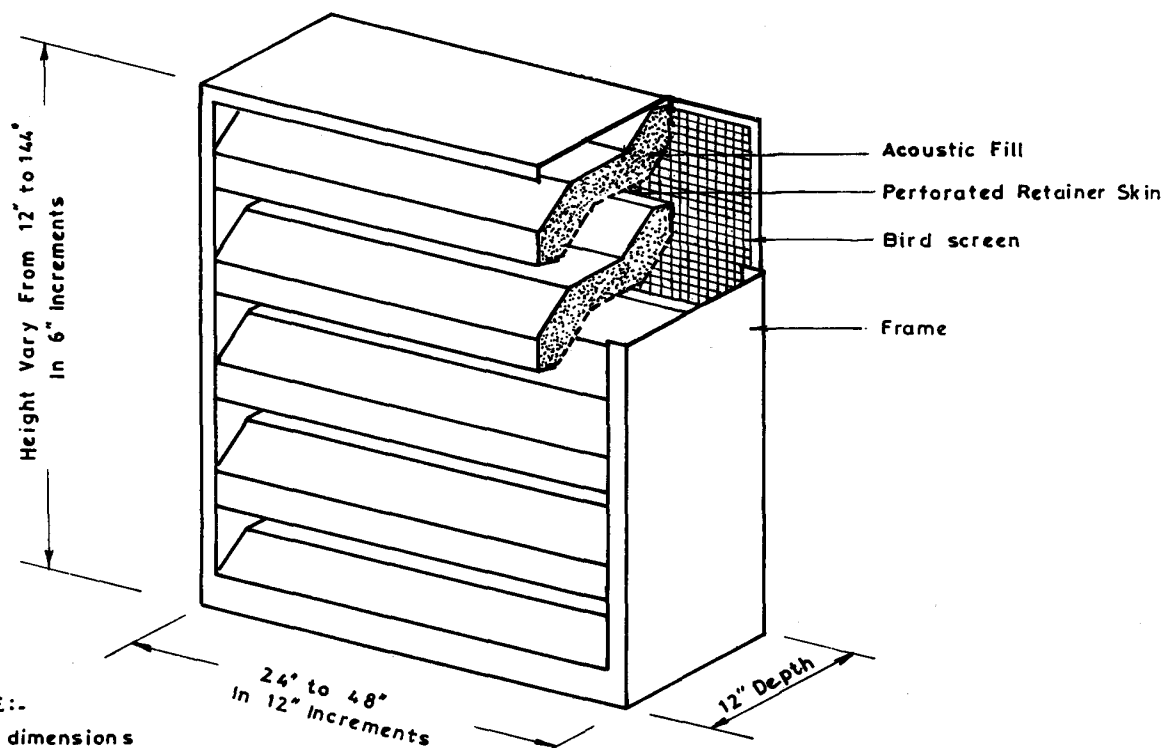
RETAINER SKIN - 24 gage Galvanized steel

ACOUSTIC FILL - Moister- proof, Oder-proof,

Vermin and Erosion proof  
Fibre glass.

BIRD SCREEN - 1/2" mesh galvanized wire  
as standard on all models.

FINISH — Mill Galvanized or Aluminium  
Painted (optional)



**DIMENSIONAL NOTE:-**  
Height and Width dimensions  
Supplied 1/4" less than Nominal sizes



SAUDI AIR CONTROL SYSTEM

# Acoustic - Louvers

MODEL - GAL- S, GAL-A

## Aerodynamic Performance Data

Face Velocity, in fpm,	200	250	300	350	400	450	500	550	600	650	750
Pressure Drop ,( inches WG.)	035	05	07	09	0.11	0.15	0.20	0,25	0.3	0.35	0.45

## Acoustical Performance Data

Octave Band Number	1	2	3	4	5	6	7	8
Center Frequency, Hz.	63	125	250	500	1000	2000	4000	8000
Transmission Loss, in dB.	5	7	11	12	13	14	17	9
Free Field Noise Reduction, dB	11	13	17	18	19	20	17	15

### Performance Note

- Free Field Noise Reduction ratings shown in performance data are obtained by adding 6 dB to Transmission Loss. This is based on a hard surfaced space being separated by means of a Goldenstar Acoustic Louver.
- Free field Noise reduction ( N R ) will increase depend in increase distance from Louver to point of interest.

