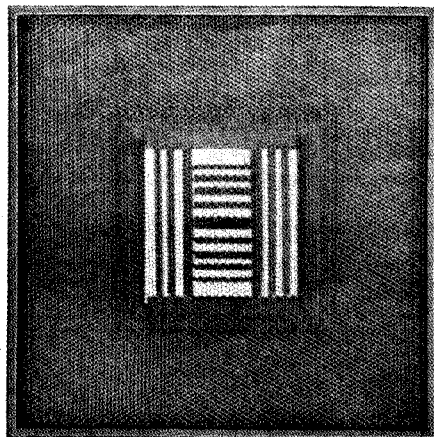
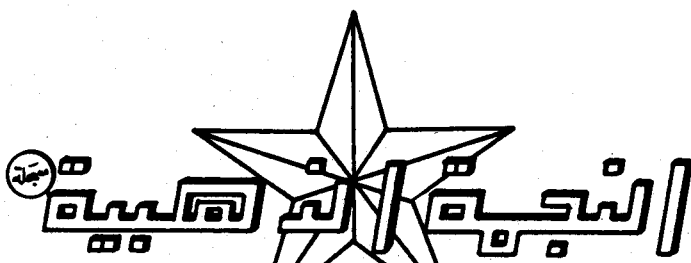




SAUDI AIR CONTROL SYSTEM
INDUSTRIAL REGISTRATION NO.353



PERFORATED AIR DIFFUSERS



المصنع السعودي للمفتحات وضوابط توزيع الهواء
ترخيص صناعي رقم ١١٣/ص

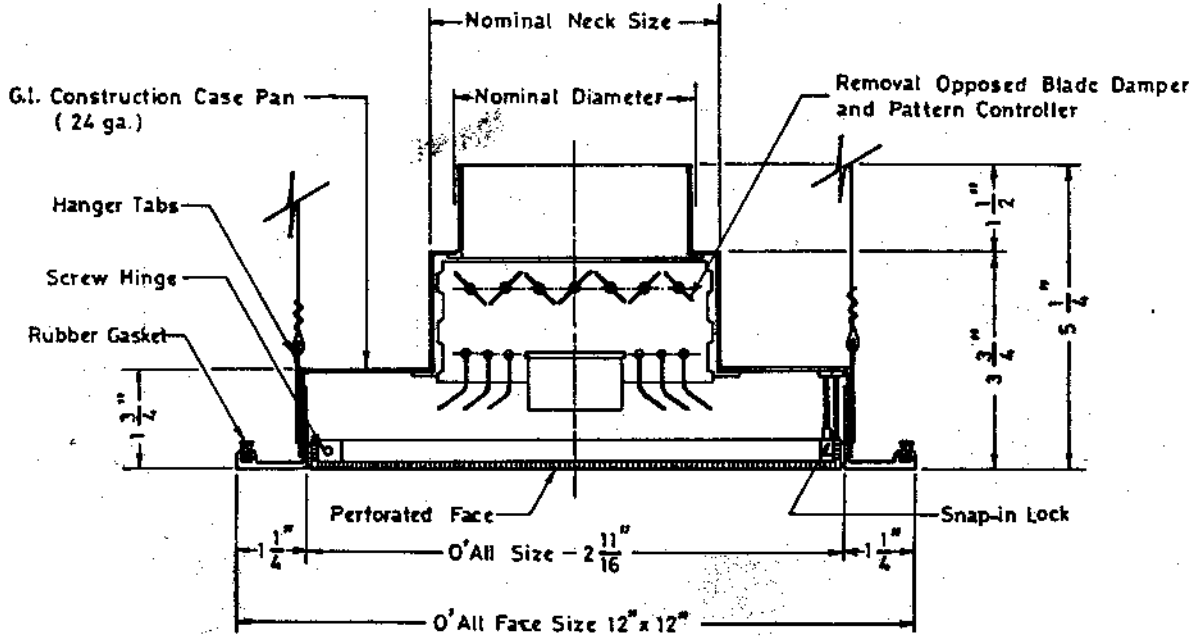


SAUDI AIR CONTROL SYSTEM

DIMENSIONAL DATA

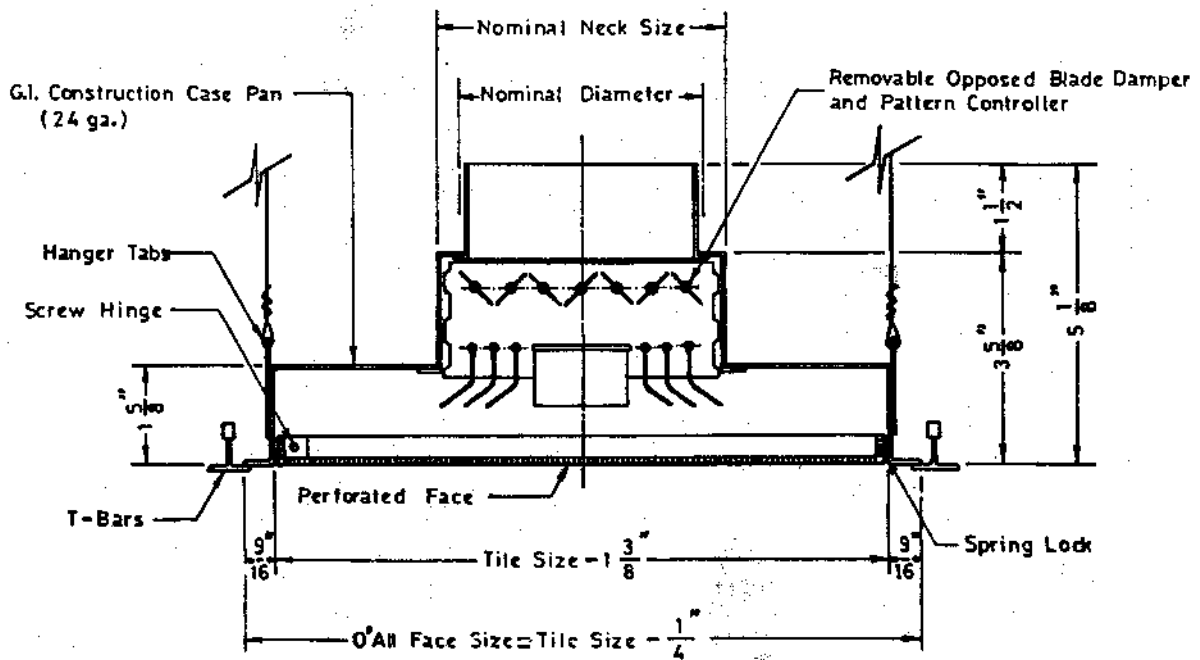
•MODEL SS-PSD-B(SUPPLY)/ MODEL SS-PRD-B(RETURN)
Module 12"x12"

- Flush Mounting Type
Note: For return application, pattern controller not included. Optional.



•MODEL BS-PSD-LT(SUPPLY)/ MODEL BS-PRD-LT(RETURN) Module
12"x12"

- T-Bar Lay-in Type Note: For return application, pattern controller not included.





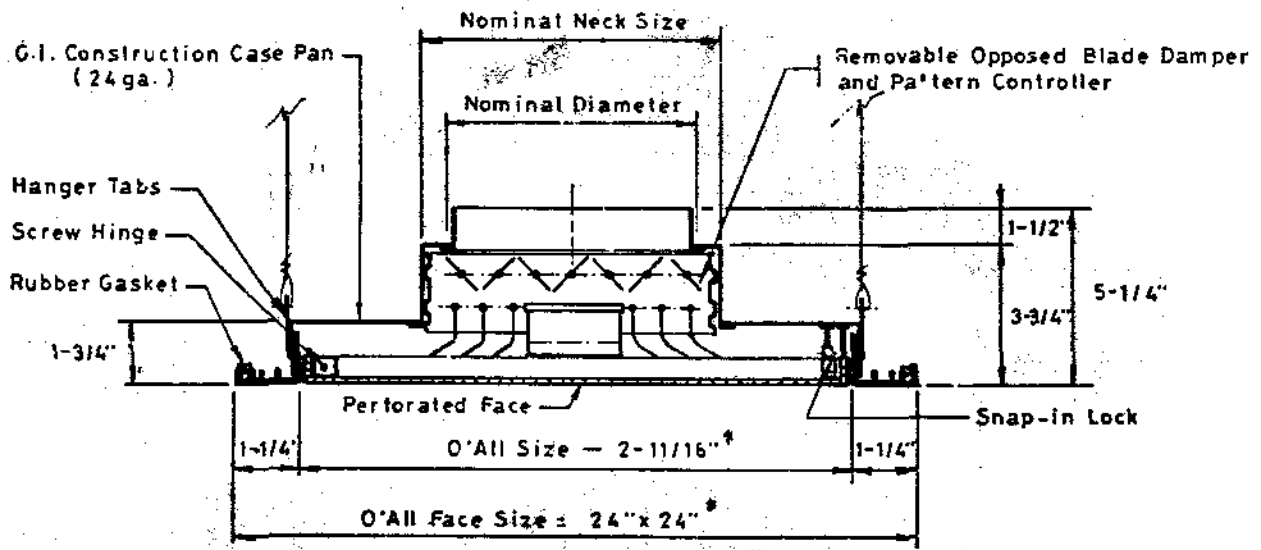
SAUDI AIR CONTROL SYSTEM

DIMENSIONAL DATA

- MODEL SS-PSD-B (SUPPLY) / MODEL SS-PRD-B (RETURN) Module 24"x24"

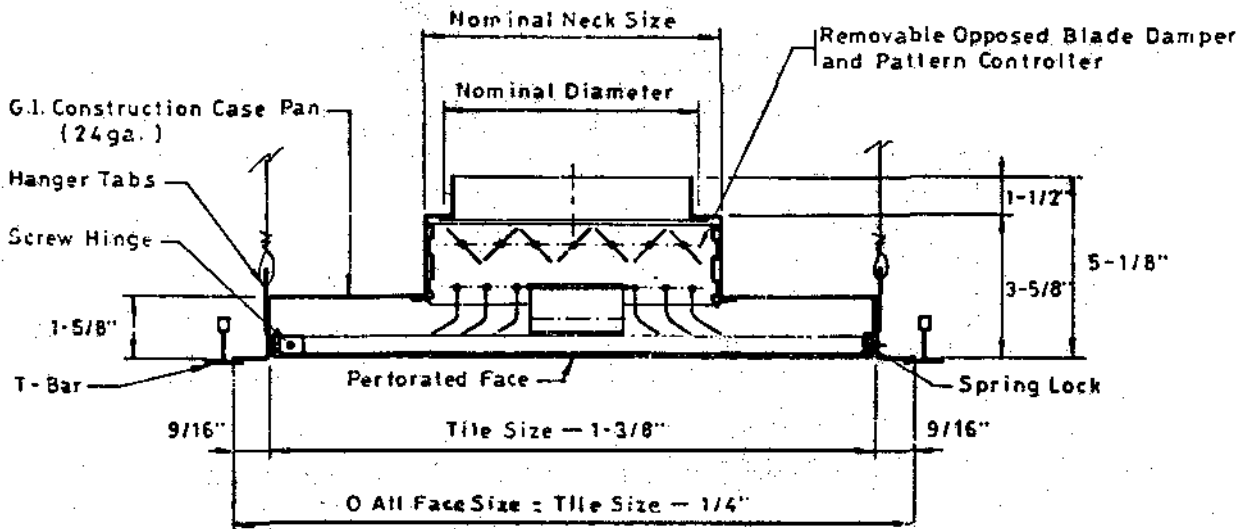
— Flush Mounting Type

Note: For return application, pattern controller not included Optional



- MODEL BS-PSD-LT (SUPPLY) / MODEL BS-PRD-LT (RETURN) Module 24"x24"

— T-Bar Lay-in Type Note: For return application, pattern controller not included.



PERFORMANCE DATA

SQUARE NECK APPLICATION

NOM. NECK SIZE	NECK AREA sq.ft.	NECK VELOCITY		200	300	400	500	600	700	800	900
		TOTAL PRESS.		.014	.03	.05	.077	.11	.14	.18	23
6"x 6"	.25	CFM		50	75	100	125	150	175	200	225
		Throw ft.	1-way	2-3	3-4	4-5	5-7	6-8	7-9	8-11	9-12
			2-way	2-3	3-4	4-5	5-6	6-7	6-8	7-9	8-10
			3-way	2	2-3	3-4	4-5	5-6	6-7	6-8	7-9
			4-way	2	2-3	3-4	3-4	4-5	5-6	5-7	6-8
9"x 9"	.56	CFM		112	168	324	280	336	357	448	504
		Throw ft.	1-way	3-4	5-6	6-8	8-10	9-12	10-14	12-16	13-18
			2-way	3-4	4-6	5-7	7-9	8-10	9-12	10-14	12-16
			3-way	2-3	4-5	5-6	6-6	7-9	6-11	9-12	10-13
			4-way	2-3	3-4	4-5	5-6	6-8	7-9	8-10	9-11
12"x12"	1.00	CFM		200	300	400	500	600	700	800	900
		Throw ft.	1-way	4-5	6-8	8-11	10-13	12-16	14-18	16-21	18-23
			2-way	4-5	5-7	7-9	9-12	10-14	12-16	14-18	15-21
			3-way	3-4	5-6	6-8	8-10	9-12	10-14	12-16	13-18
			4-way	3-4	4-5	5-7	6-8	8-10	9-12	10-13	11-15
15"x15"	1.56	CFM		312	468	624	780	936	1092	1248	1404
		Throw ft.	1-way	5-7	8-10	10-13	12-16	15-19	17-23	19-26	22-29
			2-way	5-6	7-9	9-12	11-14	13-17	15-20	17-23	19-26
			3-way	4-5	6-8	8-10	9-12	11-15	13-17	15-21	17-22
			4-way	3-4	5-6	6-8	8-10	9-12	11-14	12-16	14-18
18"x18"	2-25	CFM		450	675	900	1125	1350	1575	1800	2025
		Throw ft.	1-way	6-8	9-12	12-16	15-20	18-23	20-27	23-31	26-35
			2-way	5-7	8-10	10-14	13-17	15-21	18-24	20-27	23-31
			3-way	5-6	7-9	9-12	11-15	13-18	16-21	18-23	20-26
			4-way	4-5	6-8	8-10	9-12	11-15	13-17	15-20	17-22
21"x21"	3.06	CFM		612	918	1224	1530	1836	2142	2448	2754
		Throw ft.	1-way	7-9	10-14	14-18	17-23	20-27	24-32	27-36	30-40
			2-way	6-8	9-12	12-16	15-20	18-24	21-28	24-32	27-36
			3-way	5-7	8-10	10-14	13-17	16-20	18-24	21-27	23-30
			4-way	5-6	7-9	9-12	11-14	13-17	15-20	17-23	19-26
24"x24"	4.00	CFM		800	1200	1600	2000	2400	2800	3200	3600
		Throw ft.	1-way	8-11	12-16	16-21	20-26	23-31	27-36	31-41	35-46
			2-way	7-9	10-14	14-18	17-23	20-27	24-32	27-36	30-41
			3-way	6-8	9-12	12-16	15-21	16-23	21-27	24-31	26-35
			4-way	5-7	8-10	10-13	12-16	15-20	17-23	20-26	22-29

NOTE — For 12"x12" Module , max. neck size is available by 9"x9".



SAUDI AIR CONTROL SYSTEM

PERFORMANCE DATA

Module 12"x 12"

NOM NECK SIZE	NECK AREA (sq.ft.)	NECK VELOCITY		200	300	400	500	600	700	800	900
		TOTAL PRESS.		0.14	0.03	0.05	0.077	0.11	0.14	0.18	0.23
DIA. 6"	0.136	CFM		27	40	55	68	82	95	108	122
		THROW ft.	1-WAY	1 - 2	1 - 3	2-3	3-4	3-4	4-5	4-6	5-7
			2-WAY	1 - 2	1 - 2	2-3	2-4	3- 4	4-5	4-6	5- 6
			3-WAY	1	2	2	2- 3	2-3	3-4	3- 5	4-5
			4-WAY	1	2	2	2-3	2-3	3- 4	3- 4	3-4
DIA. 6"	0.196	CFM		39	56	78	98	117	137	156	178
		THROW ft.	1-WAY	1 - 2	2 - 3	3-4	4-5	4-6	5-8	6-8	7-9
			2-WAY	1 - 2	2 - 3	3-4	4-5	4-6	5-7	6-7	6-8
			3-WAY	1	2	2-3	3-4	3-5	4-5	5-6	6-7
			4-WAY	1	2	2-3	3-4	3-5	3-5	4-5	5-6
DIA. 8"	0.348	CFM		70	105	1 40	175	210	244	279	314
		THROW ft.	1-WAY	3-4	4-5	5-8	7-9	7-10	7-10	8-10	9-12
			2-WAY	2-4	4-5	5-7	6-8	6-9	7-9	7- 9	8-10
			3-WAY	2-3	3- 4	4-5	6-7	6-8	6-8	6-8	6-9
			4-WAY	2-3	3- 4	3-5	5-6	5- 7	5- 7	5- 7	6-8

Module 24 x 24

NOM. NECK SIZE	NECK AREA (sq. ft.)	NECK VELOCITY		200	300	400	500	600	700	600	900
		TOTAL PRESS.		0.14	0.05	0.05	0.077	0. 11	0.14	0. 18	0.23
DIA. 6"	0.196	CFM		39	5 8	78	9 8	117	137	156	176
		THROW ft.	1-WAY	1 - 2	2-3	3-4	4-5	4-6	5-8	6-8	7-9
			2-WAY	1 - 2	2 - 3	3-4	4-5	4 - 6	5-7	6-7	6 - 8
			3-WAY	1	2	2-3	3-4	3-5	4-5	5-6	6-7
			4-WAY	1	2	2 - 3	3- 4	3-5	3- 5	4-5	5-6
DIA. 8"	0.348	CFM		70	105	140	175	210	244	279	314
		THROW ft.	1-WAY	3-4	4-5	5-8	7- 9	7-10	7-10	8-10	9-12
			2-WAY	2- 4	4-5	5-7	6 -8	6-9	7-9	7-9	8- 10
			3-WAY	2- 3	3-4	4-5	6- 7	6- 8	6-8	6-8	6- 9
			4-WAY	2-3	3-4	3-5	5-6	5- 7	5- 7	5-7	6- 8
DIA. 10"	0.545	CFM		109	163	218	272	327	381	436	490
		THROW ft.	1-WAY	3-4	5-6	6-8	8-10	9-12	10-14	12 -16	13-18
			2-WAY	3-4	4-6	5-7	7-9	8-10	9-12	10-14	12-16
			3-WAY	2-3	4-5	5-6	6-8	7- 9	8- 11	9-12	10- 13
			4-WAY	2-3	3- 4	4-5	5-6	6-8	7-9	8-10	9-11



SAUDI AIR CONTROL SYSTEM

Module 24 x 24

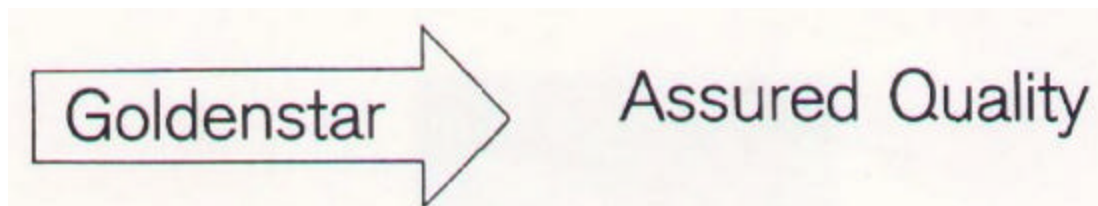
NOM. NECK SIZE	NECK AREA (sqft.)	NECK VELOCITY		200	300	400	500	600	700	800	900
		TOTAL PRESS.		0.14	0.03	0.05	0.077	0.11	0.14	0.18	0.23
DIA. 12"	0.785	CFM		157	235	314	392	471	549	628	706
		THROW ft.	1-WAY	3-5	7-8	7-9	9-11	11-14	12-15	13-17	15-19
			2-WAY	3-5	6-7	6-8	8-10	9-12	10-13	11-15	12-17
			3-WAY	3-4	4-6	5-7	7-9	8-10	9-11	10-12	11-14
			4-WAY	2-3	3-4	4-5	5-7	7-8	8-10	9-11	10-12
DIA. 14	1.06	CFM		212	318	427	530	636	742	848	954
		THROW ft.	1-WAY	4-5	6-8	8-11	10-13	12-16	14-18	16-21	18-23
			2-WAY	4-5	5-7	7-9	9-12	10-14	12-16	14-18	15-21
			3-WAY	3-4	5-6	6-8	8-10	9-12	10-14	12-16	13-18
			4-WAY	3-4	4-5	5-7	6-8	8-10	9-12	10-13	11-15
DIA. 16"	1.39	CFM		278	417	556	695	834	973	1112	1251
		THROW ft.	1-WAY	4-6	7-9	9-12	11-14	13-17	15-20	17-23	19-25
			2-WAY	4-5	6-8	8-11	10-13	11-15	13-17	15-20	16-22
			3-WAY	3-4	5-7	7-9	8-11	10-13	11-15	13-18	14-19
			4-WAY	3-4	4-5	5-8	7-9	8-11	10-13	11-14	12-16
DIA. 18"	1.76	CFM		352	528	704	880	1056	1232	1408	1584
		THROW ft.	1-WAY	5-7	8-10	10-14	12-17	15-20	18-24	20-28	23-31
			2-WAY	5-6	7-9	9-12	11-14	13-18	16-21	19-26	21-28
			3-WAY	4-5	6-7	8-10	9-12	12-16	14-18	16-22	18-24
			4-WAY	3-4	5-6	6-7	8-10	10-13	12-16	13-18	15-20

NC SOUND DATA COLOR CODE	
NC LEVEL LESS THAN 20 DB	
NC LEVEL LESS THAN 30 DB	
NC LEVEL LESS THAN 40 DB	
NC LEVEL MORE THAN 40 DB	

PERFORMANCE NOTE:

THROW — Is based on a maximum terminal velocity of 50 FPM and a minimum of 100 FPM with temperature difference of 20°F between room and supply air.

-12 NC LEVEL— Noise level is based on **8dB** room absorption; re: 10⁻¹² watts.



Also available:

- GRILLES AND REGISTERS
- DIFFUSERS - LIGHT TROFFERS
- VOLUME DAMPERS - LOUVERS
- FIRE DAMPERS
- FIRE/SMOKE COMBINATION DAMPERS
- ACCESS DOORS
- CABLE TRAYS
- VARIABLE AIR VOLUME UNITS
- SOUND ATTENUATORS
- ACOUSTIC LOUVERS
- ACOUSTIC CELLS
- ACOUSTIC - FAN
- ACOUSTIC - PACK AIR HANDLERS
- ACOUSTIC PANELS