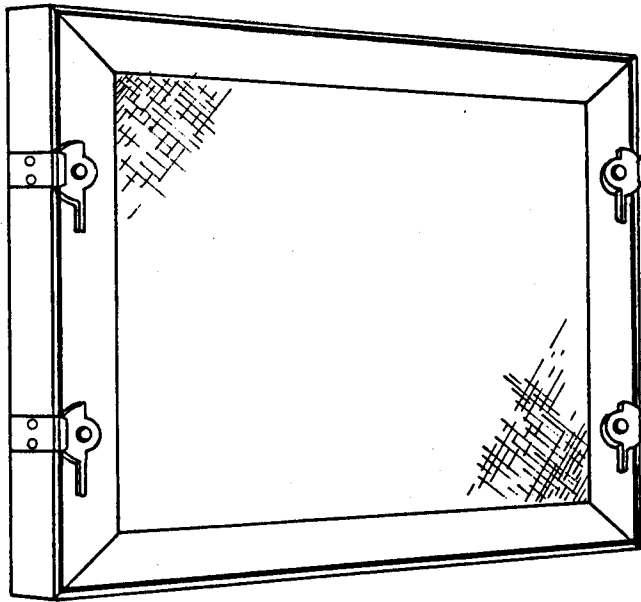
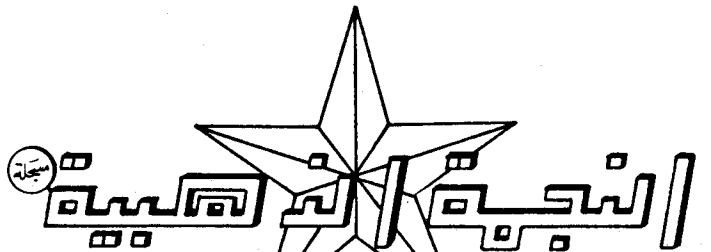




SAUDI AIR CONTROL SYSTEM
INDUSTRIAL REGISTRATION NO.353



ACCESS DOORS



المصنع السعودي لصناعة فتحات وضوابط توزيع الهواء

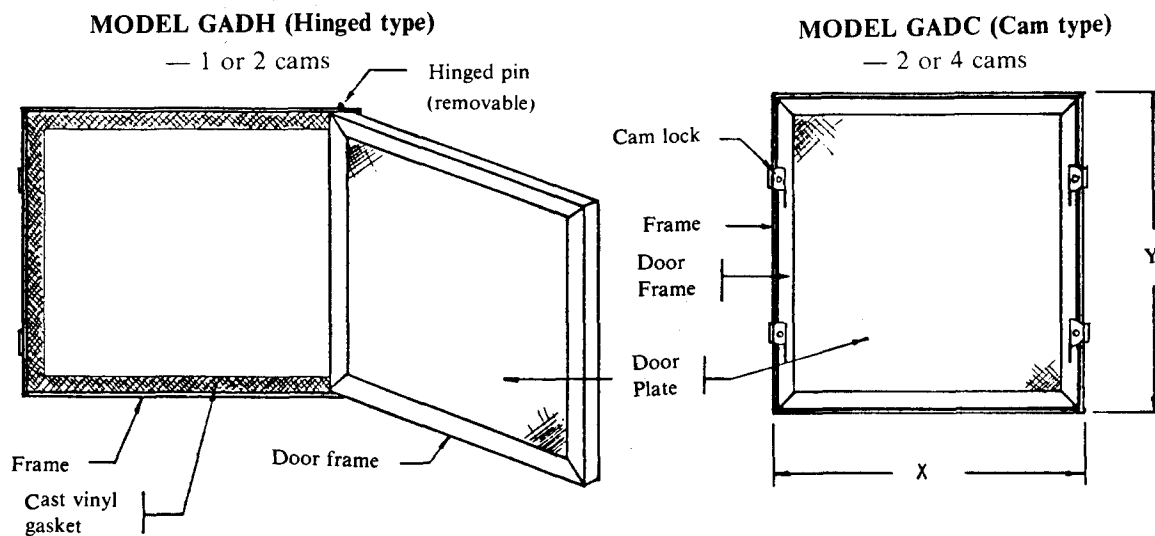
ترخيص صناعي رقم ٣٥٣ / ص

ACCESS DOORS

OUTSTANDING FEATURES

- Easily and quickly installation.
- Frames are sealed with an integral self-adhesive gaskets.
- Doors are insulated with fiberglass insulation.
- Seals : Cast vinyl gasket.
- Available in hinged or cam types models.
- Using cam locks to provide a tightly closed doors.
- Available standard sizes : (outside frame size).

6" X 6"	16" X 16"	6" X 8"	8" X 8"
18" X 18"	10" X 10"	20" X 20"	
12" X 12"	24" X 24"	14" X 10"	
- Other sizes available upon request at extra cost.
- Standard galvanized steel constructions:
 - Frame and door frame.

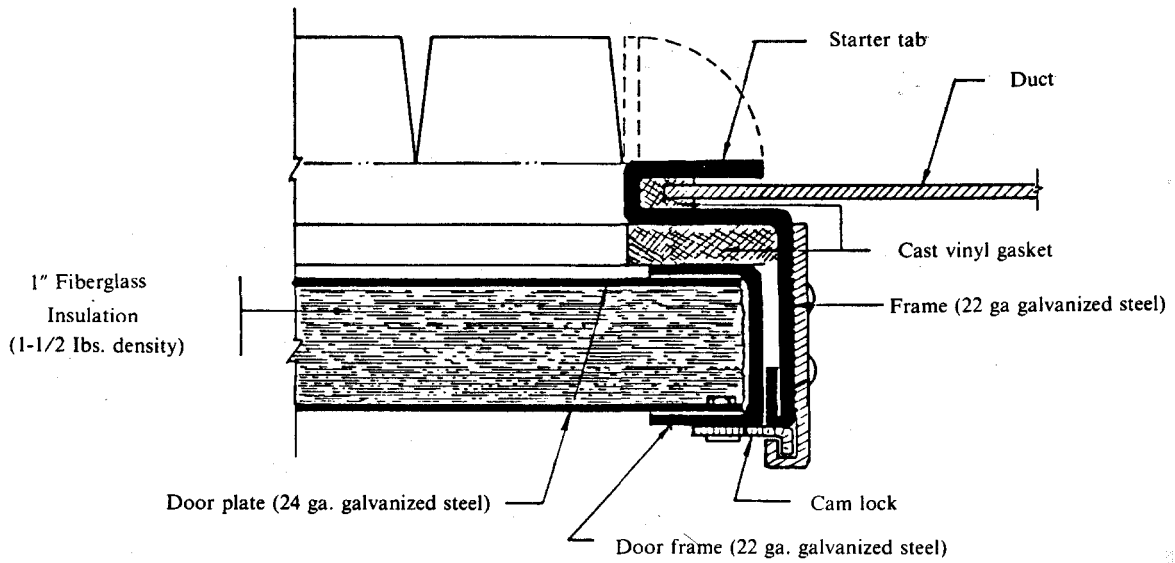


STANDARD CONSTRUCTION:

FRAME: 22 ga. galvanized steel. DOOR FRAME: 22 ga. galvanized steel. DOOR PLATE: 24 ga. galvanized steel. SEALS: Cast vinyl gasket. INSULATION : 1"/1½; lbs. density.

GOLDEN STAR
SAUDI AIR CONTROL SYSTEM

INSTALLATION DETAILS



NOTE: Cut hole opening 1-1/8" less than door.

DIMENSIONS in inches		
Unit Size	X	Y
6" × 6"	6	6
8" × 8"	8	8
10" × 10"	10	10
14" × 14"	14	14
14" × 10"	14	10
16" × 16"	16	16
18" × 18"	18	18
20" × 20"	20	20
24" × 24"	24	24

NOTE: Other sizes available upon request at extra cost.